

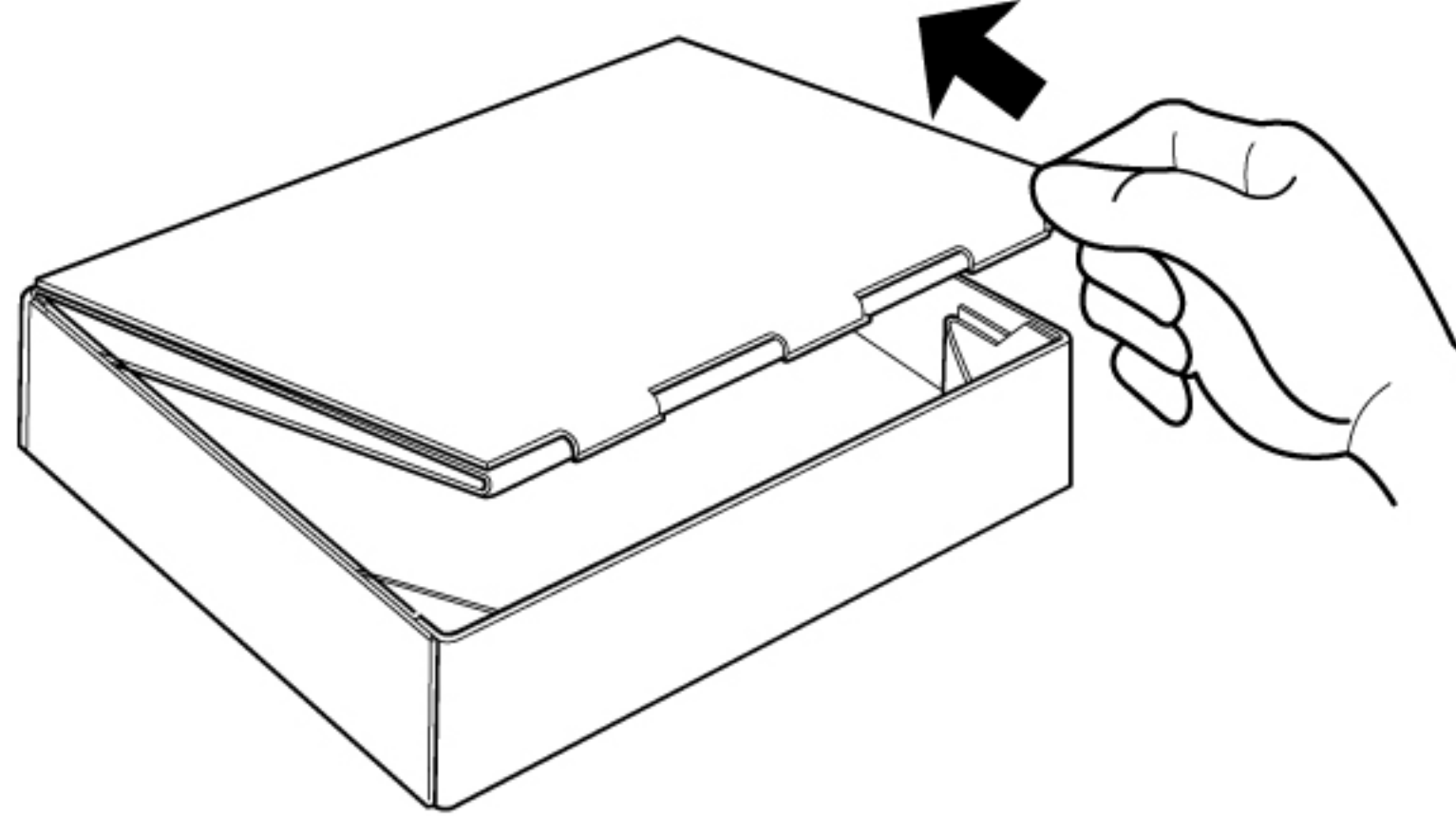
# How To Play The Colorforms® Way

## Colorforms® Create a Story Instructions

### How To Set Up Easel

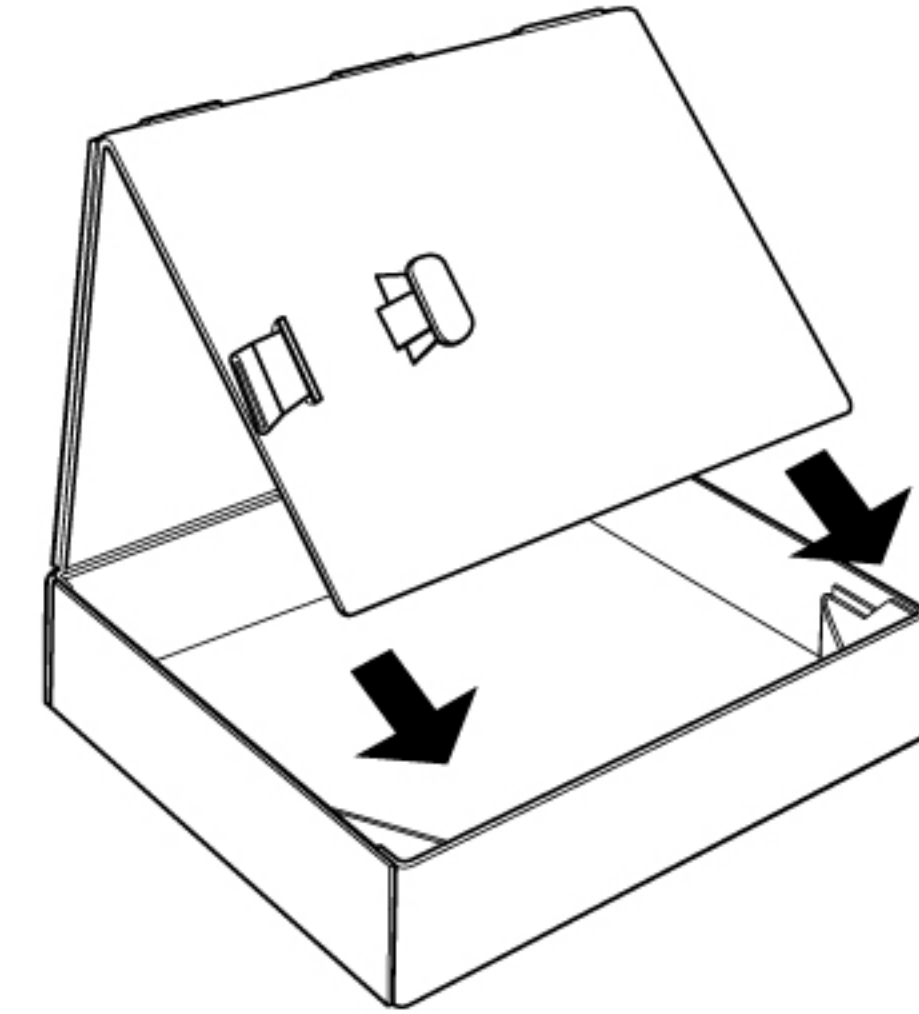
1.

Lift lid to pull out folded interior.



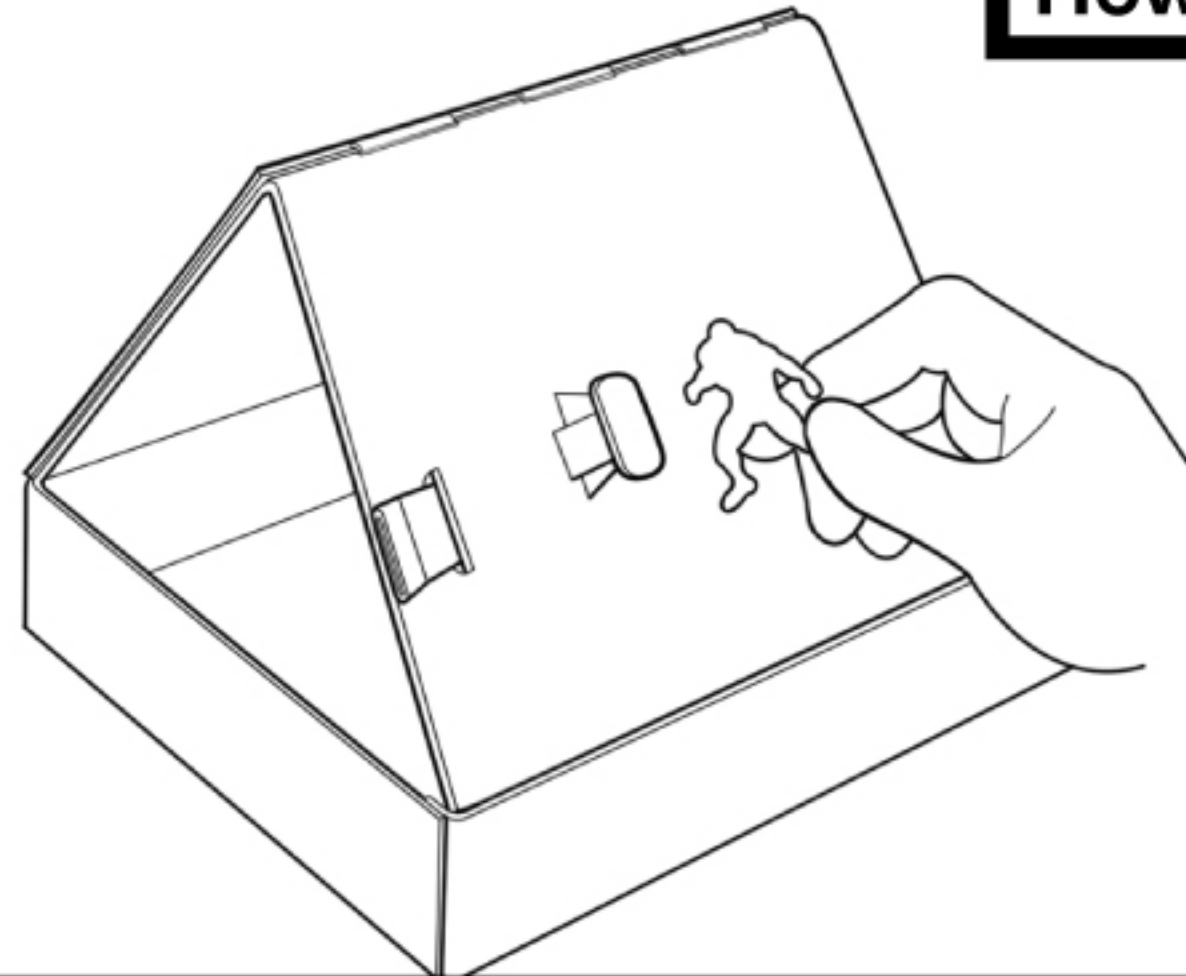
2.

Rest the bottom corners of the front panel on the inside tabs.



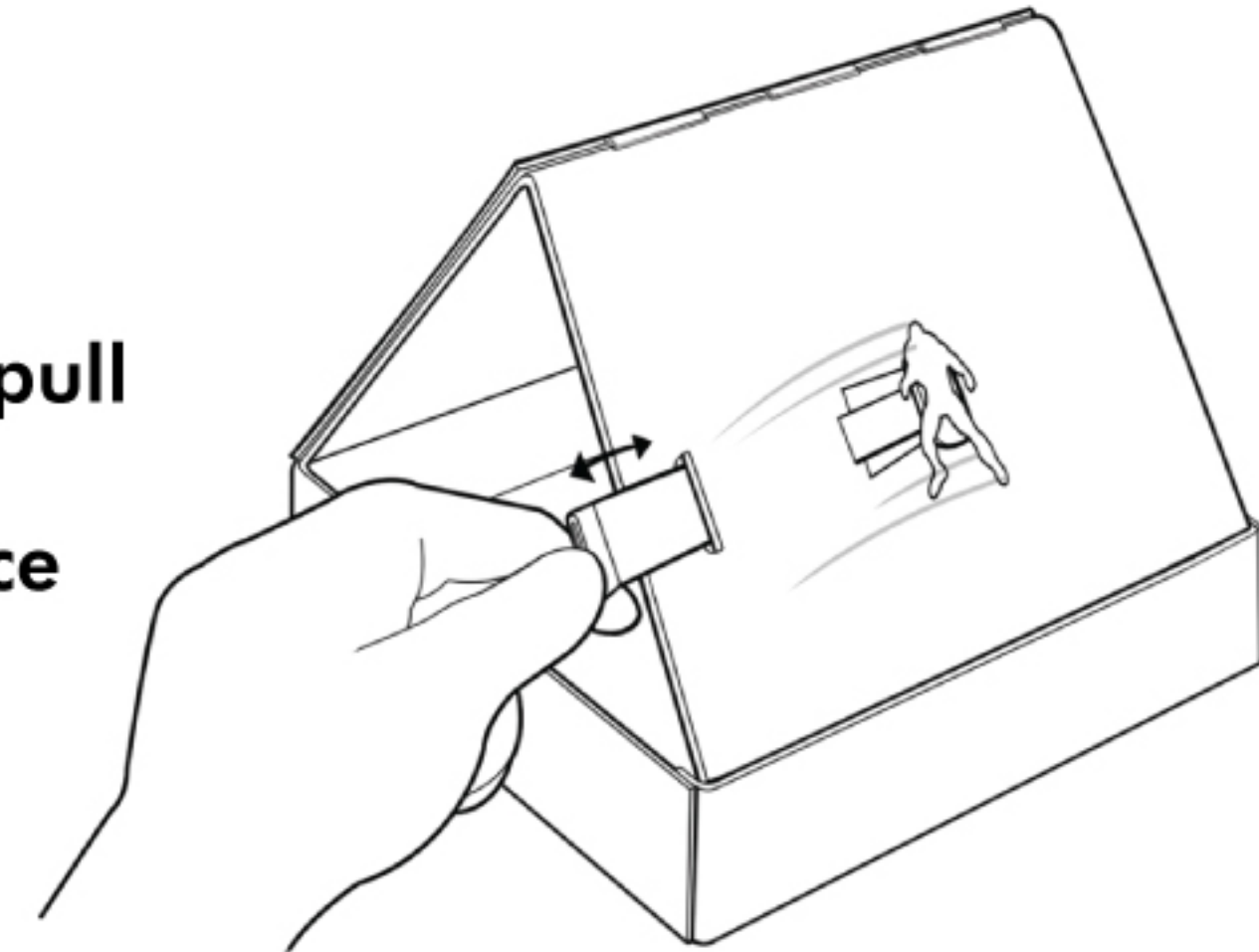
3.

Place Colorforms® piece onto the flat circle shaped base.



4.

For play action, pull tab to move the Colorforms® piece left and right.



©2015 Colorforms Brand LLC. All Rights Reserved.



**WARNING:**

**CHOKING HAZARD**—Small parts.  
Not for children under 3 years.